



# UniversalReporter

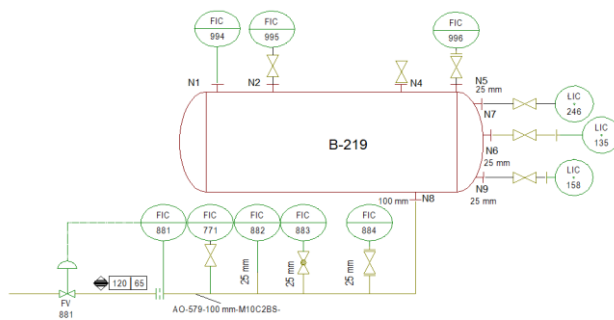
## Use Case 2: Create SmartPlant P&ID instrument lists

### CHALLENGE

It is always a challenge to create an instrument list with the appropriate connections to equipment or pipe runs due to the fact that the information is stored in different areas in the database

### WORKFLOW STEPS

1. Extract data from the source application including the connectivity and process data information.



2. View data in **UniversalReporter** (check instrument connections and additional parameters)

Item Tag	Equipment_Tag	Nozzle_Tag	ConnectedPipeRu	ConnectedPipeRunDN	PipeRun_DesignMaxPress	PipeRun_DesignMaxTemp
FE-881			01579-AO	100 mm	120 psi	65 F
FIC-771			01579-AO	100 mm	120 psi	65 F
FIC-881			01579-AO	100 mm	120 psi	65 F
FIC-882			01579-AO	25 mm	120 psi	65 F
FIC-883			01579-AO	25 mm	120 psi	65 F
FIC-884			01579-AO	25 mm	120 psi	65 F
FIC-994	B-219	N1				
FIC-995	B-219	N2				
FIC-996	B-219	N5				

3. Create instrument list report

Instrument List						
Item Tag	Equipment Tag	Nozzle Tag	PipeRun Tag	PipeRun DN	PipeRun DMP	PipeRun DMT
FE-881			01579-AO	100 mm	120 psi	65 F
FIC-771			01579-AO	100 mm	120 psi	65 F
FIC-881			01579-AO	100 mm	120 psi	65 F
FIC-882			01579-AO	25 mm	120 psi	65 F
FIC-883			01579-AO	25 mm	120 psi	65 F
FIC-884			01579-AO	25 mm	120 psi	65 F
FIC-994	B-219	N1				
FIC-995	B-219	N2				
FIC-996	B-219	N5				

### SOLUTION

- The **PID ReportAdapter** adds the connectivity information to the offline instruments so that the connection to equipments, piperuns etc. is available for reporting
- This type of report is very useful for downstream applications like SmartPlant Instrumentation.

## About CAXperts

Our mission is to improve the productivity of our clients by simplifying key tasks and processes. To achieve this we use our detailed knowledge of engineering systems and work processes to deliver engineered efficiency. Learn more at [www.caxperts.com](http://www.caxperts.com)

## Contact & information:

CAXperts GmbH  
P.: +49 89 96 97 72 0

Carl-Zeiss-Ring 4  
85737 Ismaning – Germany

[www.caxperts.com/ur](http://www.caxperts.com/ur)  
[info@caxperts.com](mailto:info@caxperts.com)

